



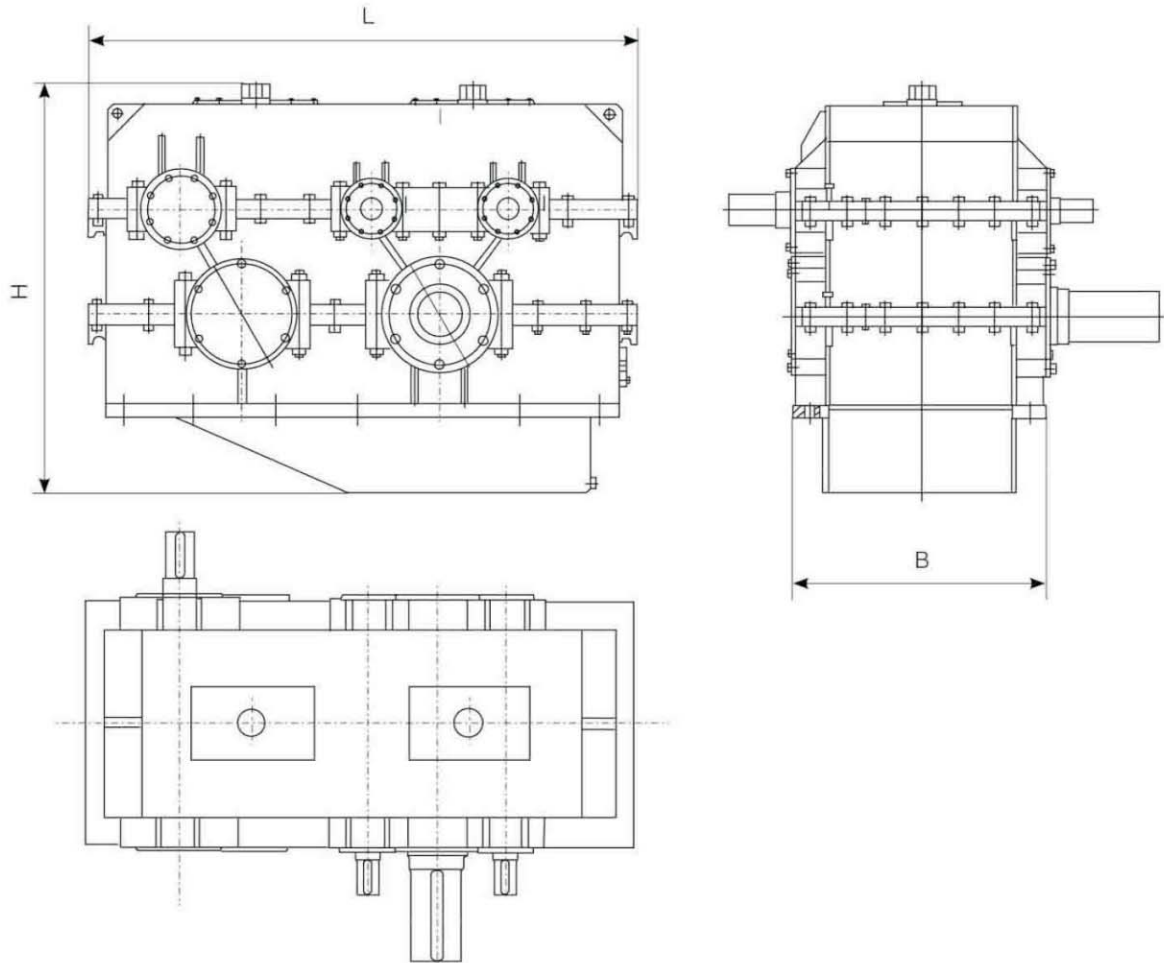
制砖机减速机

Brick-Maker GEAR UNITS

郑州澳柯曼机械设备有限公司
Zhengzhou AOKMAN Machinery Co., Ltd

砖机专用减速机外形尺寸表(TJZS)

Brick Machine special speed reducer dimensions table



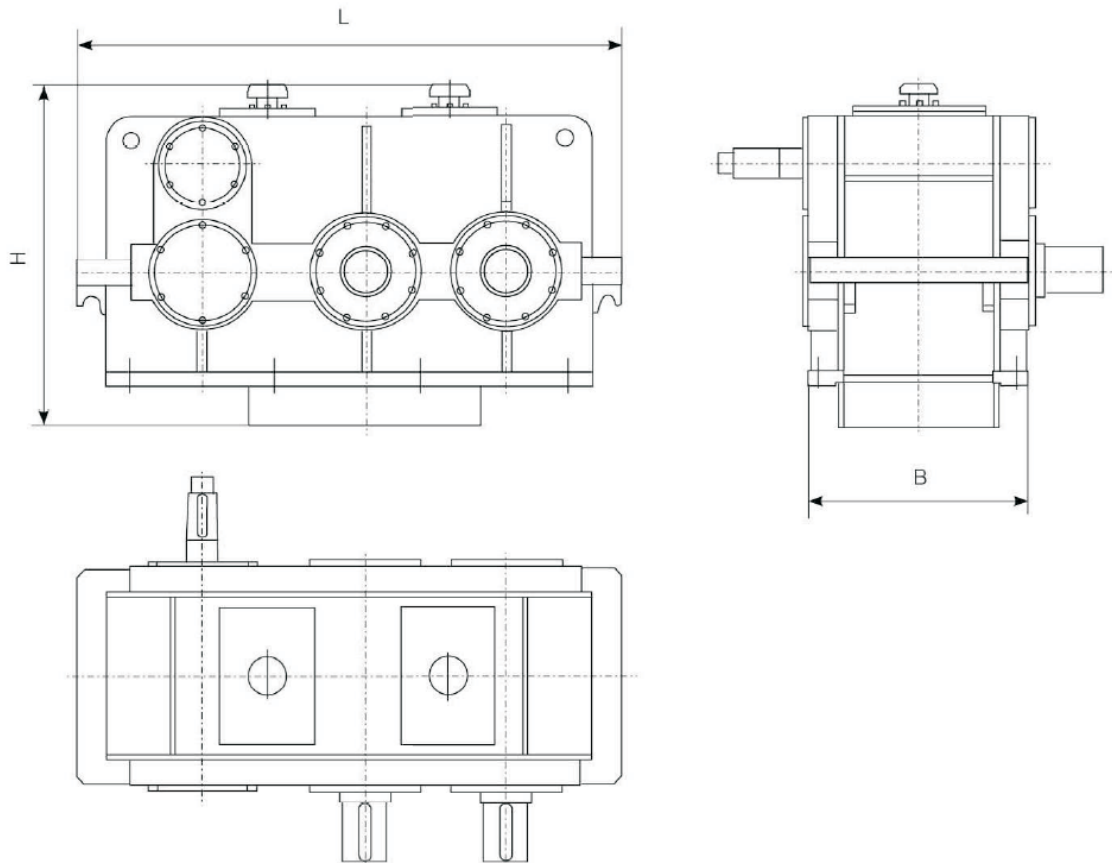
产品型号 Model	输入功率 Input Power(KW)	输入转速 Input RPM(r/min)	输出转速 Output RPM(r/min)	Total center distance(mm)	外形尺寸 Dimensions(mm)		
					L	B	H
TJZS1000	132~160	625~750	30~35	1000	1800	820	1100
TJZS1150	180~200	500~600	22~26	1150	2000	800	1200
TJZS1300	250~280	560~750	22~26	1300	2200	1100	1500
TJZS1400	280~315	560~750	22~26	1400	2500	1100	1700
TJZS1500	315	500~650	20~25	1500	2500	1100	1900

注：减速机的基本参数可按用户要求进行设计制造

Notice: Reducers can be customized by clients requirements

砖机专用减速机外形尺寸表(TJZS)

Brick Machine special speed reducer dimensions table



产品型号 Model	输入功率 Input Power(KW)	输入转速 Input RPM(r/min)	输出转速 Output RPM(r/min)	Total center distance(mm)	外形尺寸 Dimensions(mm)		
					L	B	H
TJZL750	55~75	600~700	30~45	750	1500	650	900
TJZL850	90~110	560~650	35~40	850	1600	700	1000
TJZL900	110~132	500~600	30~35	900	2000	800	1200

注：减速机的基本参数可按用户要求进行设计制造

Notice: Reducers can be customized by clients requirements

减速机应用图 Application Pictures



维护与保养 Maintenance and support

1. 减速机的安装:输出轴的轴心线,应与设备联接轴的轴心线同轴,并在联轴器允差范围内。
1.Installation: Axis of the output shaft coaxial with the axis line, should be equipment connecting shaft and the shaft coupling tolerance range.
2. 在使用前,必须加足够的润滑油并空载试车,推荐使用工业闭式齿轮油:(GB5903-1995);冬季L-CKD220,夏季 L-CKD320,注油量在示油窗中部以上,首次注入的润滑油,在减速器连续运行一个月后,必须更换新的润滑油,正常运转后要定期换油,四个月一次,润滑油的使用温度不得超过80°C。
2.Before use, you must add enough oil and no-load test, recommend the use of industrial closed gear oil: (GB5903-1995); winter L-CKD220, summer L-CKD320. The oil quantity in the oil window shown above middle. Oil first injection, the continuous operation of a month in the reducer, must take the replacement of new lubricating oil ,Every four months should periodic oil change of normal operation. The use of lubricating oil temperature shall not exceed 80 C.
3. 在使用过程中,要防止杂质、异物、水分进入箱体中,为保证齿轮、轴承的充分呢润滑,定期每月对抽油泵的进滤器进行清洗,防止网眼被异物堵塞。经常检查油质、油量、抽油泵、油路显示器、油路、润滑点,防止老年人油,在更换与补足后,视孔盖螺钉应拧紧,防止漏油。
3.During use, to prevent impurities, foreign matter and moisture into the box so as to ensure the gears, bearings lubricated full of it. Regular monthly pump inlet filter for cleaning, in case the mesh is blocked to prevent foreign matter. Usually check the oil, oil pump, oil monitors, oil, lubrication points to prevent the elderly oil, after replacing the complement, depending on the hole cover screws should be tightened to prevent oil spills.
4. 减速机在使用中避免频繁起动、点动工作。若发现螺栓联接松动,轴必定座油温显著升高,以及不正常的噪音现象时,应立即停止使用,检查原因排除故障,方可继续使用。
4.When working,the reducer should avoid frequent starting, inching work.If it is found loose bolt connection, shaft must be significantly increased base oil, as well as unusual noises, should immediately stop using.Check the reason for troubleshooting, may continue to be used.
5. 若设备停机时间较长,停车前,应将负荷卸载(泥料挤出),防止下次过载起动,损坏齿轮、轴承。
5.If the plant down times is long, before stopping, you should load shedding (pug extrusion), to prevent overloading the next start-up, loss of ring gears, bearings.
6. 经常对减速机表在, 作清洗工作,保持整洁。
6.Often clean the reducer surface,and keep tide.